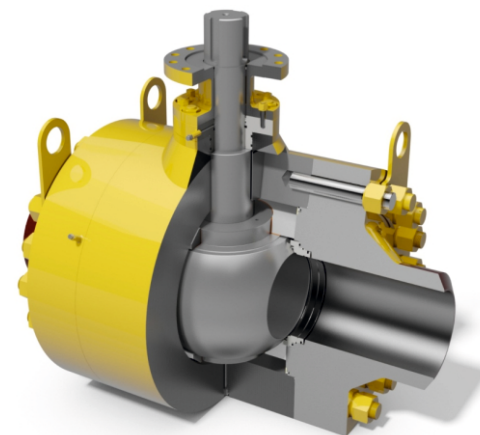
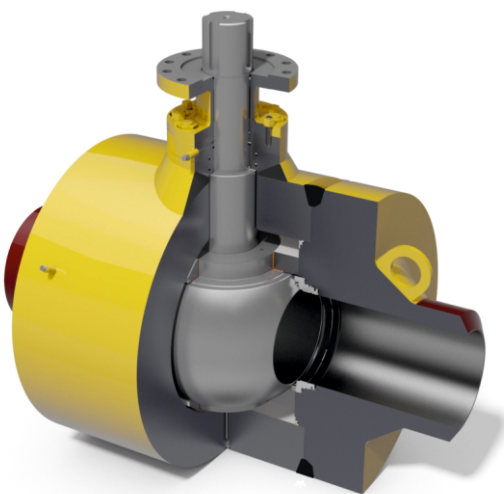


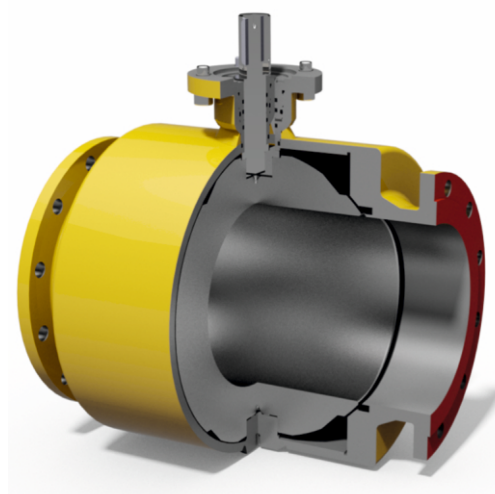
Steel Ball Valve Type **HKSF-W100**
(fully welded, up to ANSI 900)



Steel Ball Valve Type **HKSF-SB**
(Split Body, side entry, up to ANSI 2500)



Steel Ball Valve Type **HKSF-WB**
(Fully welded, up to ANSI 2500)



Steel Ball Valve Type **HKSF**
(Fully welded, up to ANSI 300)